

MP5-250 series 180W~250W 3" x5" Power Supply

SINGLE OUTPUT

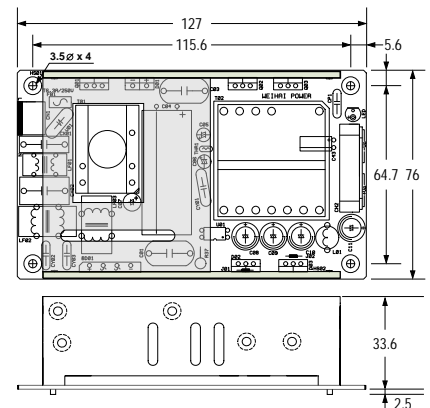


FEATURE

- Universal input voltage(Full range)
- Low ripple & noise
- Over current protection
- Over voltage protection
- Over temperature protection
- High efficiency
- High reliability
- Power factor correction ≥ 0.95
- 100% burn-in
- 2 years product warranty

MECHANICAL DRAWING

Dimension : L 127x W76 x H36.1mm

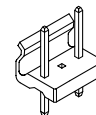


SPECIFICATION

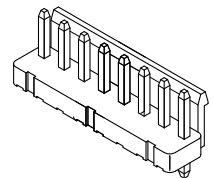
Model Name		MP5-250-12z	MP5-250-24z	MP5-250-54z	MP5-250-56z
Input	Voltage	90VAC~264VAC			
	Frequency(Hz)	47Hz~63Hz			
	Inrush current	<80A(230VAC)			
	Power factor correction	PF \geq 0.95 at full load			
Output	Voltage	12V	24V	54V	56V
	Current (16.5 CFM fan)	15A	10A	4.62A	3.5A
	Voltage tolerance	$\pm 5\%$			
	Ripple & Noise	120mV	240mV	540mV	560mV
	Max. output power (Forced air)	180W	240W	249.5W	252W
	Efficiency (typ.)	>86%	>88%	>90%	>90%
	Hold up time	$\geq 16.7\text{ms}$ @115VAC			
	Setup, rise time	<1000ms, 20ms			
Protection	Over current	Auto recovery mode			
	Over voltage	Latch mode			
	Over temperature	Latch mode			
Environment	Operating temperature	-40°C ~ 70°C			
	Storage temperature	-40°C ~ 70°C			
	Humidity	10% ~ 90%			
	MTBF	>100,000hrs @25°C (MIL-HDBK-217F)			
EMI requirements	EN 55022 class B, EN61000-4-2-2,4,5				
Safety meet requirements	UL 62368, EN 62368				
Dimension (L x W x H mm)	127 x 76 x 36.1 mm (max.)				

CONNECTOR

CN1



CN2



CN1 Input connector

Weli Sheng M3-I39601S or equivalent

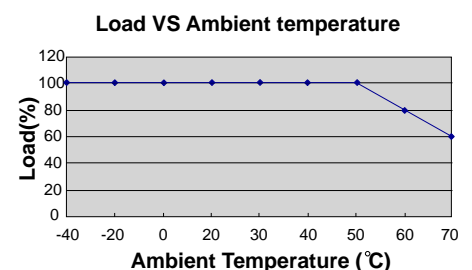
Pin	AC Input voltage
L&N	90-264VAC

CN2 Output connector

Weli Sheng M8-I39606 or equivalent

Pin	DC Output voltage
1	Common
2	Common
3	Common
4	Common
5	Vo
6	Vo
7	Vo
8	Vo

DE-RATING CURVE



威海電子股份有限公司
WEIHAI POWER ELECTRONICS CO.,LTD.

6F. -6, No.700, Jhongjheng Rd., Jhonghe Dist.,
New Taipei City 235, Taiwan (R.O.C.)
TEL: 886-2-82273718 FAX: 886-2-82273719
E-MAIL: sales@wpe.com.tw