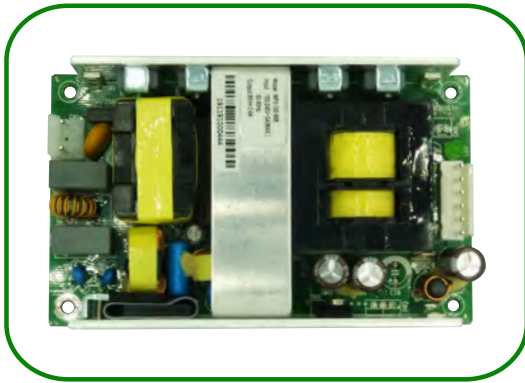


MP3-200 series 150W~200W 3" x5" Power Supply

SINGLE OUTPUT

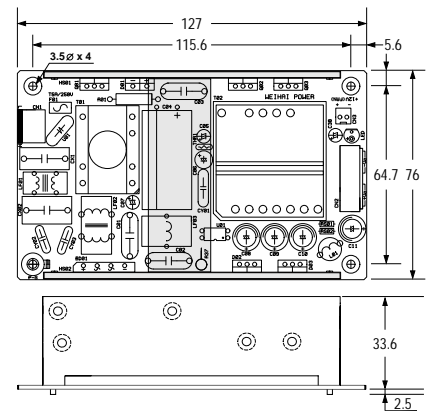


FEATURE

- Universal input voltage(Full range)
- Low ripple & noise
- Over current protection
- Over voltage protection
- Over temperature protection
- High efficiency
- High reliability
- Power factor correction ≥ 0.95
- 100% burn-in
- 2 years product warranty

MECHANICAL DRAWING

Dimension : L 127x W76 x H36.1mm

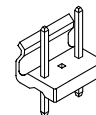


SPECIFICATION

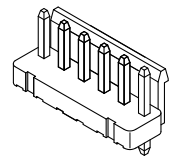
Model Name		MP3-200-12z	MP3-200-24z	MP3-200-24z	MP3-200-54z	MP3-200-56z
Input	Voltage	90VAC~264VAC				
	Frequency(Hz)	47Hz~63Hz				
	Inrush current	<80A(230VAC)				
	Power factor correction	PF ≥ 0.95 at full load				
Output	Voltage	12V	24V	30V	54V	56V
	Current (16.5 CFM fan)	12.5A	8.3A	6.7A	3.6A	3.6A
	Voltage tolerance	$\pm 5\%$				
	Ripple & Noise	120mV	240mV	300mV	540mV	560mV
	Max. output power (Forced air)	150W	200W	201W	195W	201W
	Efficiency (typ.)	>86%	>88%	>88%	>90%	>90%
	Hold up time	$\geq 16.7\text{ms}$ @115VAC				
	Setup, rise time	<1000ms, 20ms				
Protection	Over current	Auto recovery mode				
	Over voltage	Latch mode				
	Over temperature	Latch mode				
Environment	Operating temperature	-40°C ~ 70°C				
	Storage temperature	-40°C ~ 70°C				
	Humidity	10% ~ 90%				
	MTBF	>100,000hrs @25°C (MIL-HDBK-217F)				
EMI requirements	EN 55022 class B, EN61000-4-2-2,4,5					
Safety meet requirements	UL 62368, EN 62368					
Dimension (L x W x H mm)	127 x 76 x 36.1 mm (max.)					

CONNECTOR

CN1



CN2



CN1 Input connector

Weli Sheng M3-I39601S or equivalent

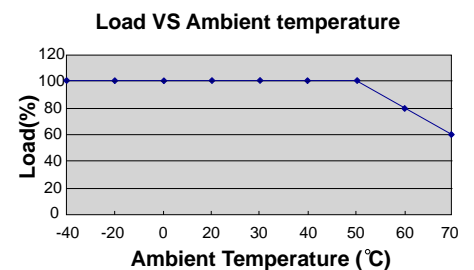
Pin	AC Input voltage
L&N	90-264VAC

CN2 Output connector

Weli Sheng M6-I39606 or equivalent

Pin	DC Output voltage
1	Common
2	Common
3	Common
4	Vo
5	Vo
6	Vo

DE-RATING CURVE



威海電子股份有限公司
WEIHAI POWER ELECTRONICS CO.,LTD.

6F. -6, No.700, Jhongjheng Rd., Jhonghe Dist.,
New Taipei City 235, Taiwan (R.O.C.)
TEL: 886-2-82273718 FAX: 886-2-82273719
E-MAIL: sales@wpe.com.tw