

HOS018120-D3 18W

Camera of CCTV Power

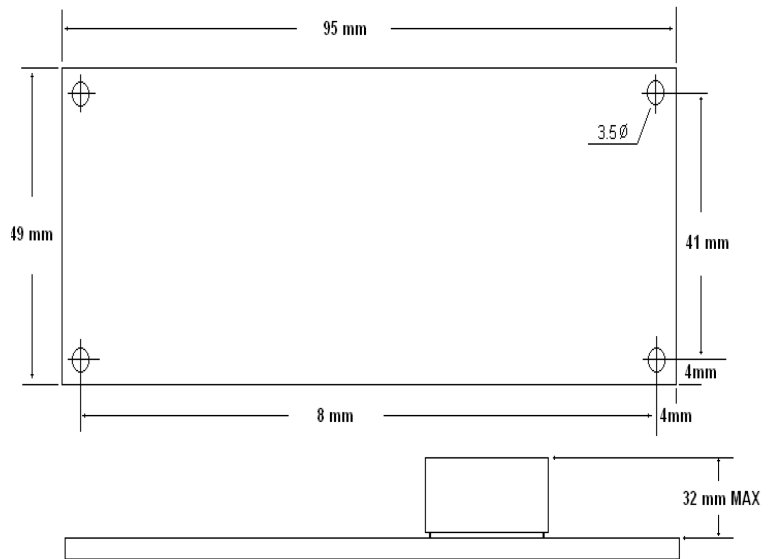
SINGLE OUTPUT



AC/DC Switching Mode Power Supply

DIMENSION

- L95x W49x H32mm(Max.)



FEATURE

- 20 to 28 VAC input
- Built-in EMI filter
- 100% burn-in
- Input surge current protection
- Over current protection
- Short circuit protection

ENVIRONMENTAL

- Operating temperature: 0°C ~ +50°C
- Operating humidity: 20% ~ 85%
- Storage temperature: - 40°C~ +70°C
- Storage humidity: 10% ~ 95%

GENERAL SPECIFICATION

- Efficiency: 74% type at full load
- Hold-up time: 8ms at full load, (24Vac/50Hz)
- Rise time: > 1ms < 20ms
- Withstand voltage: 3000 VAC, input to output
- MTBF: 50,000 hours
- Burn-in: 100% for all shipped units
- EMI requirements: Meets conduction limits of
 - a) FCC class B
 - b) CISPR class B

Output Voltage/Current Rating Chart

Model Name	V norm.	I min.	I max.	Tolerance	Output Power Max.
HOS018120-D3	12V	0A	1.5A	±5%	18W



威海電子股份有限公司
WEIHAI POWER ELECTRONICS CO.,LTD.

6F. -6, No.700, Jhongjheng Rd., Jhonghe Dist.,
New Taipei City 235, Taiwan (R.O.C.)
TEL: 886-2-82273718 FAX: 886-2-82273719
E-MAIL: sales@wpe.com.tw